

H1



LORENZO BARROSO

H1

H1

High-speed machine for closing sausages in natural or artificial casings, nettings and bags, full or empty, with an aluminium clip.

Just by pressing the start lever and without releasing the product from the hands, the clipper closes automatically the clip.

Features:

- Simple and robust construction with stainless components specially treated to withstand the adverse conditions such machines usually work in.
- Fully pneumatic operation.
- Minimum maintenance.
- Our firm provides lubricant ALB-591 in spray and in can, which meets all EU and USA demanded requirements for its use in the Food Industry.

Following our standards, its devices and elements are protected by our own patents. In order to improve the machine, we reserve the right of modifications without prior notice.

Technical Data:

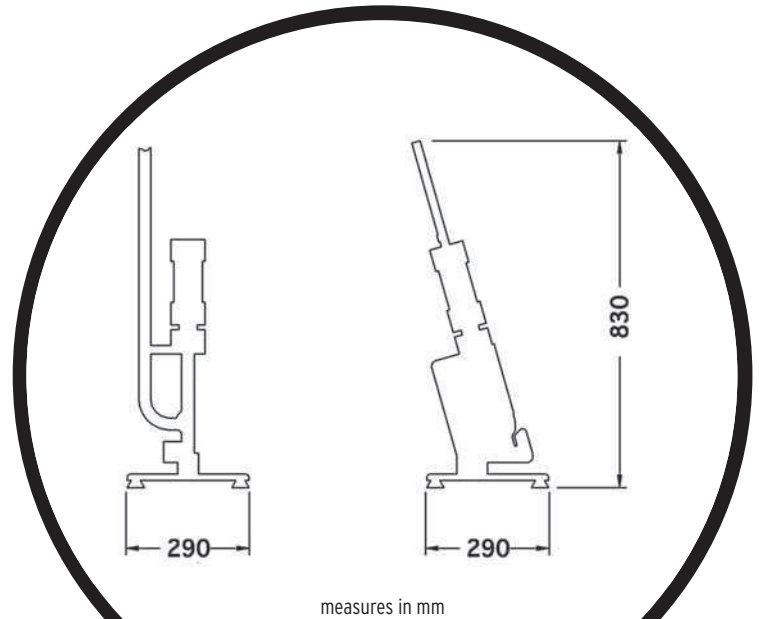
Net weight: 10 KG
Operating pressure: 6 bar
Air consumption: 1 liter/cycle

Model	Range of clips
H-2300	H-2309, H-2310, H-2311
H-2700	H-2710, H-2712, H-2714, H-2716

Accessories:



Knife with stainless support



*Images and contents are property of LORENZO BARROSO and any kind of reproduction is forbidden.